

Brass Ball Valve

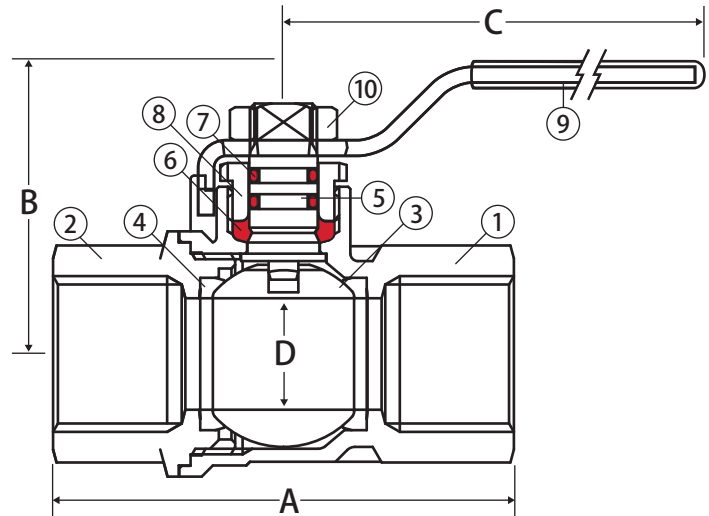


2 Piece • Full Port • Threaded Connections • 600 WOG



T-100NE

CRN# 0C16887.5469870YTN



Features

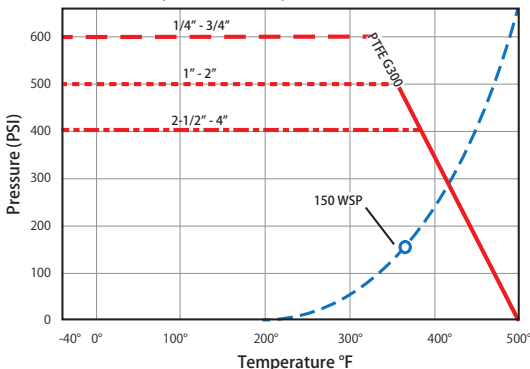
- Blow-out proof stem
- Triple sealing stem with 2 FKM o-rings and PTFE G300 seal
- 100% leak tested
- 100% Made in Italy
- Leakproof stem - Lifetime Warranty
- 29 in-HG vacuum rating
- Accessories available

Approvals

- UL Listed (1/4" - 2")
 - VQGU - Trim & drain
 - MHKZ - Manual valves
 - YQNZ - Compressed gas shut-off valves
 - YRBX - Flammable liquid shut-off valves
 - YRPV - Gas shut-off valves
 - YSDT - LP gas shut-off valves
 - SFJQ - Valves, refrigerant
- CSA Certified
 - ANSI Z21.15 (.5 PSIG) (1/4" - 3")
 - ASME B16.33 (125 PSIG) (1/2" - 2")
 - ASME B16.38 (125PSIG) (2-1/2" - 4")
 - CSA 3.16-15 (125 PSI) (1/4" - 4")
 - CGA 9.2 (1/4" - 3")
 - Delta C (3/8" - 3/4")
- MSS SP-110
- ANSI B1.20.1
- FM Approval (1/4" - 3/4" 600 WOG, 1" - 2" 500 WOG)

Valve Seat Rating

1/4" - 3/4" 600 WOG, 1-2" 500 WOG, 2-1/2" - 4" 400 WOG - 150 WSP



Material Specifications

No.	Part	Materials
1	Body	Brass - CW617N
2	End Connection	Brass - CW617N
3	Ball	T.E.A. Coated Brass - CW617N
4	Seat (2)	PTFE G300
5	Stem	Brass - CW614N
6	Packing	PTFE G300
7	Stem O-ring (2)	FKM
8	Packing Gland	Brass - CW614N
9	Handle	Steel - Geomet® Plated
10	Handle Nut	Steel - Geomet® Plated

Dimensions

Part No.	Size	A	B	C	D	Cv
100-701	1/4"	1.86	1.41	2.95	0.39	7.66
100-702	3/8"	1.86	1.41	2.95	0.39	7.77
100-703	1/2"	2.45	1.53	2.95	0.59	16.82
100-704	3/4"	2.71	1.95	3.74	0.79	34.80
100-705	1"	3.30	2.40	4.75	0.97	52.20
100-706	1-1/4"	3.80	2.59	4.75	1.23	112.52
100-707	1-1/2"	4.16	3.22	6.00	1.49	174.00
100-708	2"	5.00	3.40	6.00	1.99	255.20
100-709	2-1/2"	6.06	4.60	8.00	2.46	350.32
100-710	3"	7.08	4.90	8.00	2.99	563.76
100-711	4"	8.57	5.90	9.88	4.00	879.28

WARNING: This product can expose you to chemicals including lead, which is known to the State of California to cause cancer, and lead, which is known to the State of California to cause birth defects or other reproductive harm. For more information go to www.P65Warnings.ca.gov.

