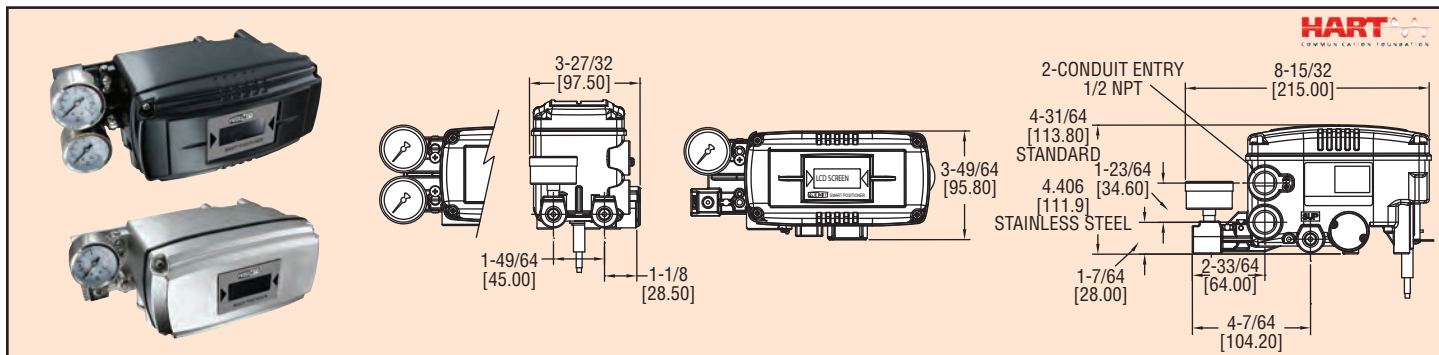


**PROXIMITY**®Series  
285

# Rotary Smart Positioner

Fail Freeze, Rotary Operation, Hart® Communication



**Proximity Series 285 Smart Positioners** combine an easy to use, high performance unit with a low price. Series 285 models accurately control the valve stroke of rotary motion valves, such as W.E. Anderson ball or butterfly valves, according to an input signal of 4 to 20 mA from the controller. Its rugged, durable design makes it ideal for harsh environments. The NEMA 4X (IP66) enclosure rating protects the highly efficient microprocessing unit inside the Smart Positioner. An analog feedback signal is outputted to stabilize any valve system, and easy to use functions such as auto calibration ensure the accuracy of the unit. Low air consumption reduces operating cost but does not sacrifice the performance of the Smart Positioner. The compact design of this unit makes it easy to use with any size actuator. Smart Positioners feature a LCD screen attached to the outer surface of the unit, allowing for an easy inspection of the positioner condition while in the field. Available in user selectable single or double action, with Hart® communication as standard. In the event that the 4-20 mA input signal is lost the 285 will fail in place.

Model	Communication	Enclosure
285ER-D5	HART®	Aluminum
285ER-D5SS	HART®	Stainless Steel

**SPECIFICATIONS****Input Signal:** 4 to 20 mA DC.**Input Impedance:** 460 Ω max @ 20 mA DC.**Enclosure:** See model chart.**Air Supply:** 35 to 116 psi (2.4 to 9 bar).**Air Connection:** 1/4" NPT.**Gage Connection:** 1/8" NPT.**Conduit Connection:** 1/2" NPT.**Linearity:** ±0.5% FS.**Hysteresis:** ±0.5% FS.**Sensitivity:** ±0.2% FS.**Repeatability:** ±0.3% FS.**Air Consumption:** .0004 scfm (.01LPM) at 20 psig (1.4 bar) supply.**Flow Capacity:** 2.1 scfm (60 LPM) at 20 psig (1.4 bar) supply.**Stroke:** 0 to 90°.**Enclosure Rating:** NEMA 4X (IP66).**Operating Temperature:** -22 to 185°F (-30 to 85°C).**Weight:** 3.3 lb (1.5 kg); SS models: 6.4 lb (2.9 kg).

HART® is a registered trademark of Hart Communication Foundation.