

# Series C

## Direct Drive Mixer, Clamp Mount

### 1750 rpm, Grease Lube

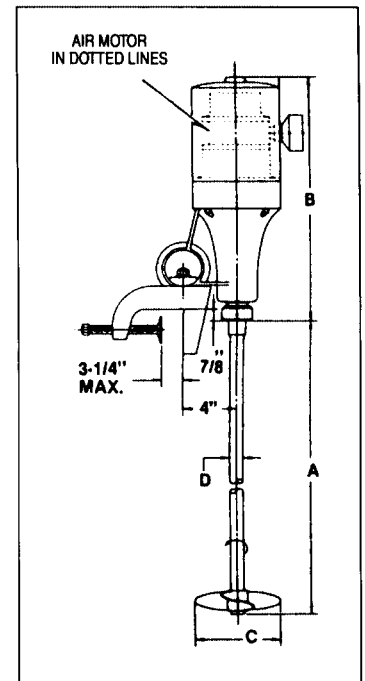
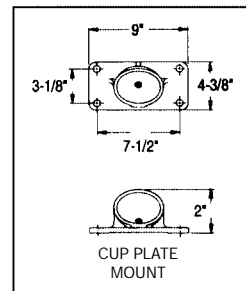
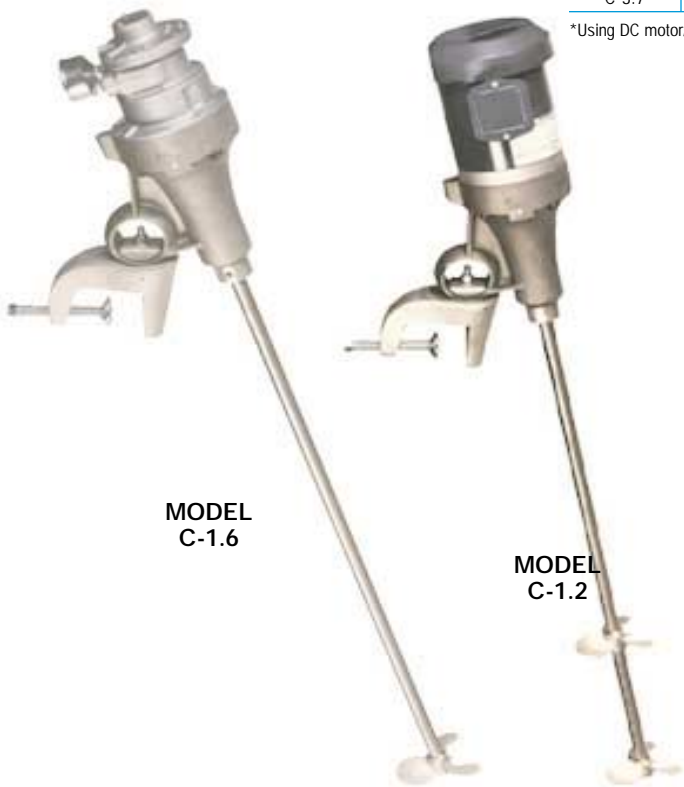
Neptune's original line of large, direct drive, portable mixers for mixing larger batches of light and medium solutions or small batches of heavy fluids.

#### Features

- Motors are available in TEFC or explosion-proof enclosures (1750 rpm, 56C frame). Air motors also available.
- Universal indexing clamp allows most efficient mixer positioning.
- Fixed cup plate mount optional.
- Square pitch 1.0 ratio marine propellers are used exclusively. Flow coefficients and power consumption characteristics equal those of the best hydrofoil impeller designs.
- 316SS propellers and shafts are standard. Optional coatings such as rubber, PVC or Teflon® also available.
- Vibration-absorbing pad standard.
- Cast aluminum housing.
- Gears run in grease, giving quiet operation.
- Bearings run in grease for quiet operation and extended life.
- Variable speed drives also available.

Model Number	Standard Motor Description	A Shaft Length	B	C		D Shaft Diameter
				Single	Dual	
<b>Totally-enclosed fan-cooled (TEFC)</b>						
C-1.0	1/2 HP-1-115/230	48"	22 $\frac{7}{8}$ "	5"	4"	$\frac{3}{4}$ "
C-1.2	1/2 HP-3-230/460	48"	19 $\frac{1}{4}$ "	5"	4"	$\frac{3}{4}$ "
C-2.0	3/4 HP-1-115/230	48"	20 $\frac{1}{8}$ "	5"	4"	$\frac{3}{4}$ "
C-2.2	3/4 HP-3-230/460	48"	20 $\frac{1}{2}$ "	5"	4"	$\frac{3}{4}$ "
C-3.0	1 HP-3-230/460	60"	20 $\frac{1}{2}$ "	6"	5"	$\frac{3}{4}$ "
C-4.0	1 $\frac{1}{2}$ HP-3-230/460	60"	20 $\frac{1}{2}$ "	6"	5"	1"
<b>Explosion-proof class 1 group D (EP)</b>						
C-1.1	1/2 HP-1-115/230	48"	22 $\frac{7}{8}$ "	5"	4"	$\frac{3}{4}$ "
C-1.3	1/2 HP-3-230/460	48"	20 $\frac{1}{4}$ "	5"	4"	$\frac{3}{4}$ "
C-2.1	3/4 HP-1-115/230	48"	23 $\frac{7}{8}$ "	5"	4"	$\frac{3}{4}$ "
C-2.3	3/4 HP-3-230/460	48"	20 $\frac{1}{2}$ "	5"	4"	$\frac{3}{4}$ "
C-3.1	1 HP-3-230/460	60"	24 $\frac{1}{2}$ "	6"	5"	$\frac{3}{4}$ "
C-4.1	1 $\frac{1}{2}$ HP-3-230/460	60"	21 $\frac{1}{2}$ "	6"	5"	1"
<b>Air motor</b>						
C-1.6	1/2 HP AIR Air Requirements: 20CFM at 40PSI	48"	16 $\frac{1}{2}$ "	5"	4"	$\frac{3}{4}$ "
C-2.6	3/4 HP AIR Air Requirements: 30CFM at 60PSI	48"	16 $\frac{1}{2}$ "	5"	4"	$\frac{3}{4}$ "
C-3.4	1 HP AIR Air Requirements: 40CFM at 40PSI	60"	17 $\frac{1}{4}$ "	6"	5"	$\frac{3}{4}$ "
C-4.2	1 $\frac{1}{2}$ HP AIR Air Requirements: 55CFM at 60PSI	60"	17 $\frac{1}{4}$ "	6"	5"	1"
<b>Variable speed 175 to 1725 RPM totally-enclosed non-ventilated (TENV)*</b>						
C-1.7	1/2 HP Variable Speed, 1/115 V	48"	20 $\frac{1}{2}$ "	5"	4"	$\frac{3}{4}$ "
C-2.7	3/4 HP Variable Speed, 1/230 V	48"	20 $\frac{1}{2}$ "	5"	4"	$\frac{3}{4}$ "
C-3.7	1 HP Variable Speed, 1/230 V	60"	20 $\frac{1}{2}$ "	6"	5"	$\frac{3}{4}$ "

\*Using DC motor/control package.



**IndustrialZONE.com™**  
Your Portal to the Industrial World

**IndustrialZone**  
P.O. Box 667306  
Houston, Texas 77266  
United States

(713)-395-1508  
Fax: (713) 893-6924  
support@industrialzone.com  
[www.industrialzone.com](http://www.industrialzone.com)