

RATIO MONITOR / TOTALIZER

WITH HIGH / LOW ALARMS AND
ANALOG OUTPUT



DATASHEET F114 – RATIO MONITOR

Features

- Calculates ratio between flow A and B.
- Displays ratio, flow rate A and B and total A and B (resettable).
- 4 alarm values can be entered: low-low, low, high and high-high ratio alarm.
- Large 17mm (0.67") digits.
- Analog output acc. ratio, flow rate A or flow rate B.
- Very compact design for panel mount, wall mount or field mount applications.
- Operational temperature -30°C up to +80°C (-22°F up to 178°F).
- Rugged aluminum field mount enclosure IP67 / NEMA4X.
- Intrinsically Safe
 - Ex II 1 GD EEx ia IIB/IIC T4 T100°C.
- Explosion/flame proof Ex II 2 GD EEx d IIB T5.
- Full Modbus communication RS232/485/TTL.
- Loop or battery powered, 8 - 24V AC / DC or 115 - 230V AC power supply.
- Sensor supply 3.2 - 8.2 - 12 - 24V DC.

Signal output

- (0)4 - 20mA / 0 - 10V DC according to the calculated ratio, flow rate A or flow rate B.
- Up to 3 free configurable alarm outputs.

Signal input

Flow

- Reed-switch.
- NAMUR.
- NPN/PNP pulse.
- Sine wave (coil).
- Active pulse signals.
- (0)4 - 20mA.
- 0 - 10V DC.

Applications

- Two component applications like glueing, blending or mixing where continuous ratio monitoring and/or totalising is important.

General information

Introduction

The flowcomputer Model F114 has been developed to calculate the actual ratio between two separate flows. Typical applications are found where locally a two component product is mixed, for example in construction works, roof or wall isolation, glueing and coating. The F114 offers the facility to set two low ratio and two high ratio alarm values. Special precautions are taken to allow start-up problems and incorrect ratio readings for a certain period of time. Based on the location of the flowmeters, a selection can be made out of six different formulas. A wide selection of options further enhance this models capabilities.

Display

The display has large 17mm (0.67") and 8mm (0.31") digits which show the ratio, alarm values, flow rate A, total A and flow rate B, total B. On-screen engineering units are easily configured from a comprehensive selection. The ratio can be displayed as 1:___ or as a percentage.

Configuration

All configuration settings are accessed via a simple operator menu which can be pass-code protected. Each setting is clearly indicated with an alpha-numerical description, therefore avoiding confusing abbreviations and baffling codes. Once familiar with one F-series product, you will be able to program all models in the series without a manual. All settings are safely stored in EEPROM memory in the event of sudden power failure.

Analog output signal

The calculated ratio, flow rate A or B can be re-transmitted with the (0)4 - 20mA or 0 - 10V DC output signal. The output signal is updated ten times per second. The output value is user defined in relation to the ratio or flow rate, e.g. 4mA equals to 1 : 50 and 20mA equals to 1 : 1. The output signal can be passive, active or isolated where the passive output type will loop power the F114.

Alarm output

Up to three outputs are available to transmit the ratio alarm condition. All free configurable, in such a way that you can have e.g. one low-low alarm output, one low alarm output and one high alarm output. The output signals can be a passive

NPN, active PNP or an isolated electro-mechanical relay. Two outputs are available in Intrinsically Safe applications.

Signal input

The F114 will accept most pulse and analog input signals for flow or mass flow measurement.

The input signal types can be selected by the user in the configuration menu without having to adjust any sensitive mechanical dip-switches or jumpers.

Communication

All process data and settings can be read and modified manually or through the Modbus communication link (RS232 / RS485).

Full Modbus functionality remains available for the Intrinsically Safe version (TTL).

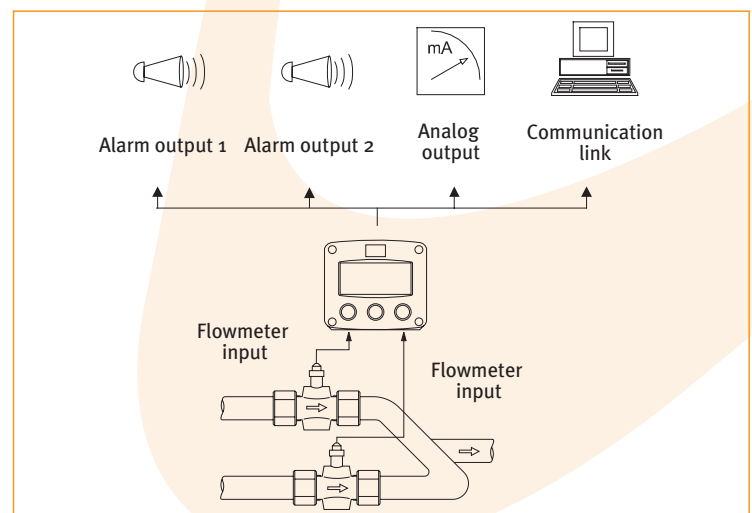
Hazardous areas

For hazardous area applications, this model has been ATEX certified Intrinsically Safe $\text{Ex II 1 GD EEx ia IIB / IIC T4 T100}^{\circ}\text{C}$ with an allowed operational temperature of -30°C to $+70^{\circ}\text{C}$ (-22°F to $+158^{\circ}\text{F}$). A flame proof enclosure is also available with the rating $\text{Ex II 2 GD EEx d IIB T5}$.

Enclosures

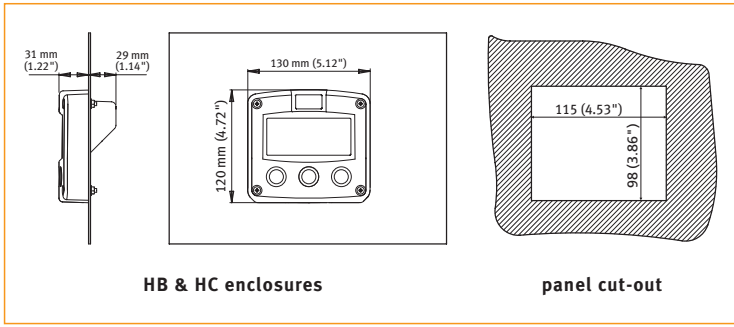
Various types of enclosures can be selected, all ATEX approved. As standard the F114 is supplied in an GRP panel mount enclosure, which can be converted to an GRP field mount enclosure. Most popular is our rugged aluminum field mount enclosure with IP67 / NEMA 4X rating. Both European or U.S. cable gland entry threads are available.

Overview application F114



Dimensions enclosures

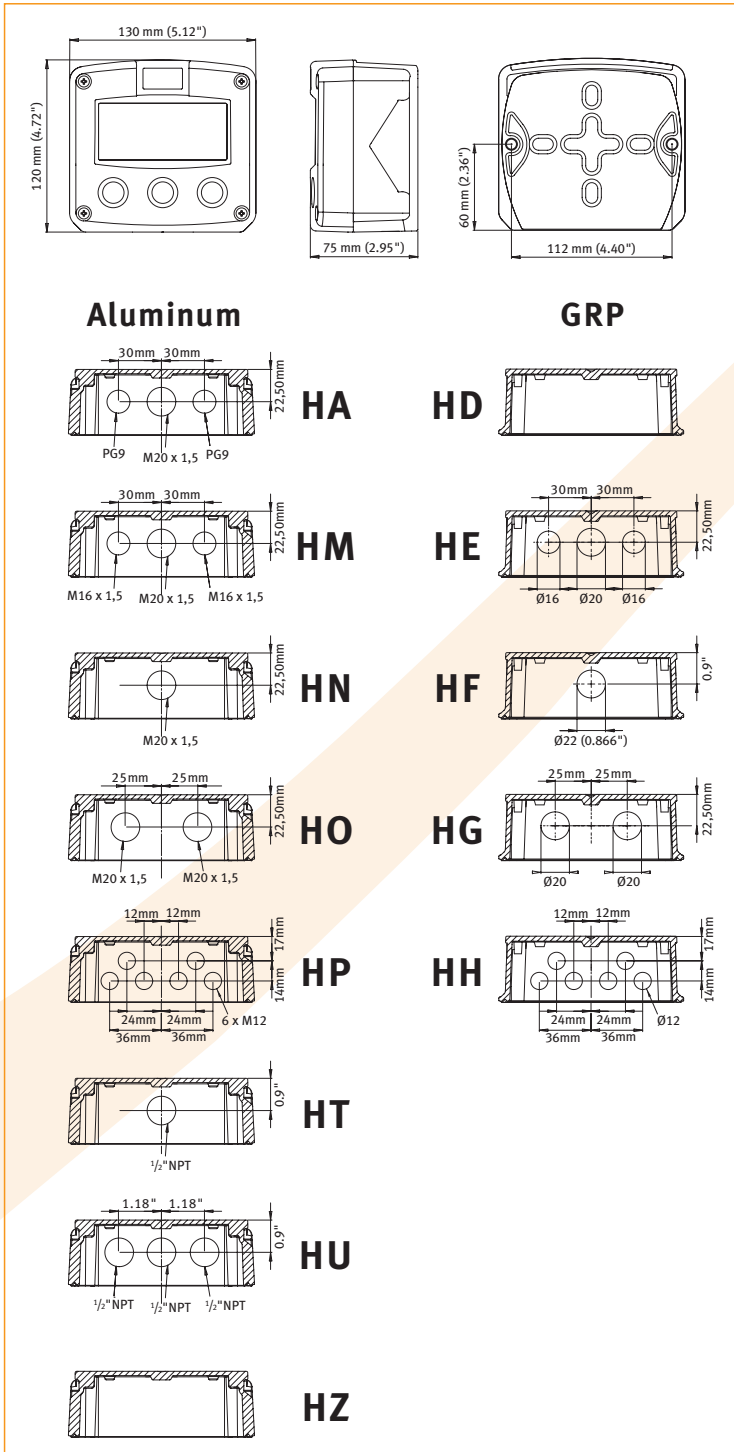
Aluminum & GRP panel mount enclosure



HB & HC enclosures

panel cut-out

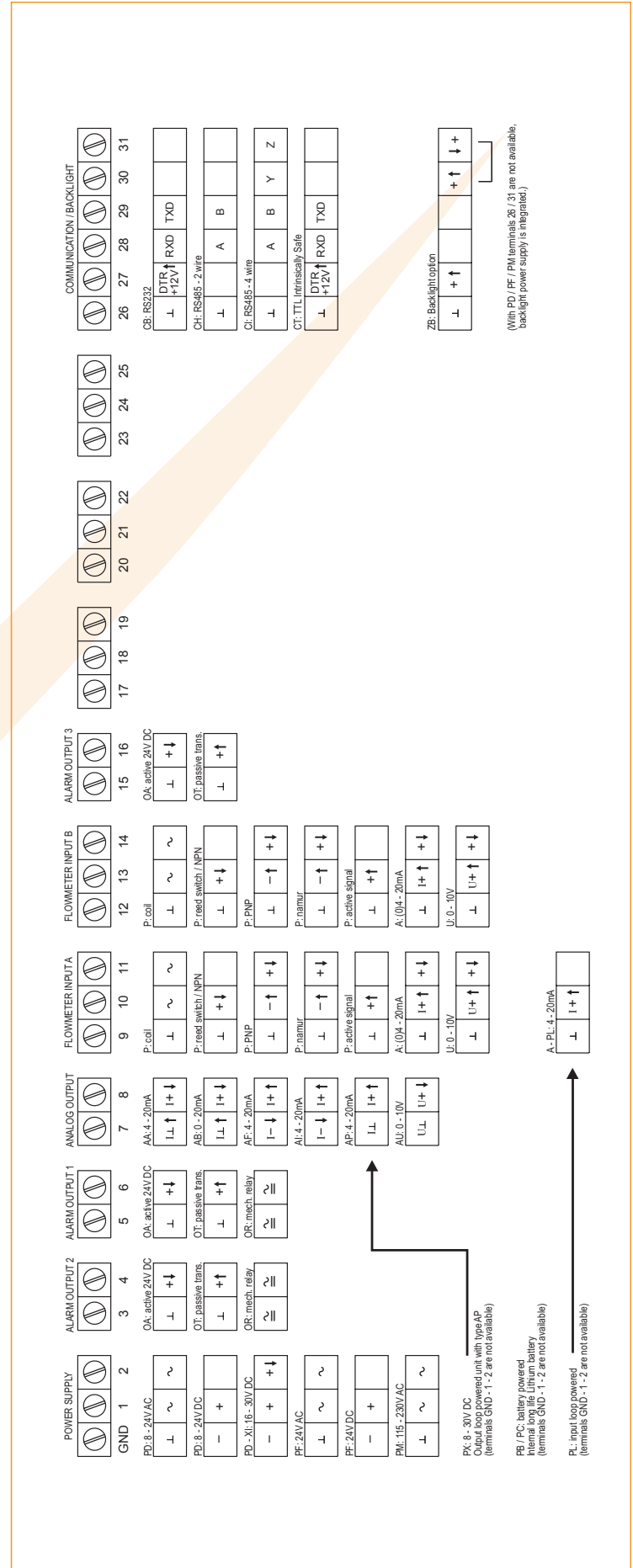
Aluminum & GRP field / wall mount enclosures



Aluminum

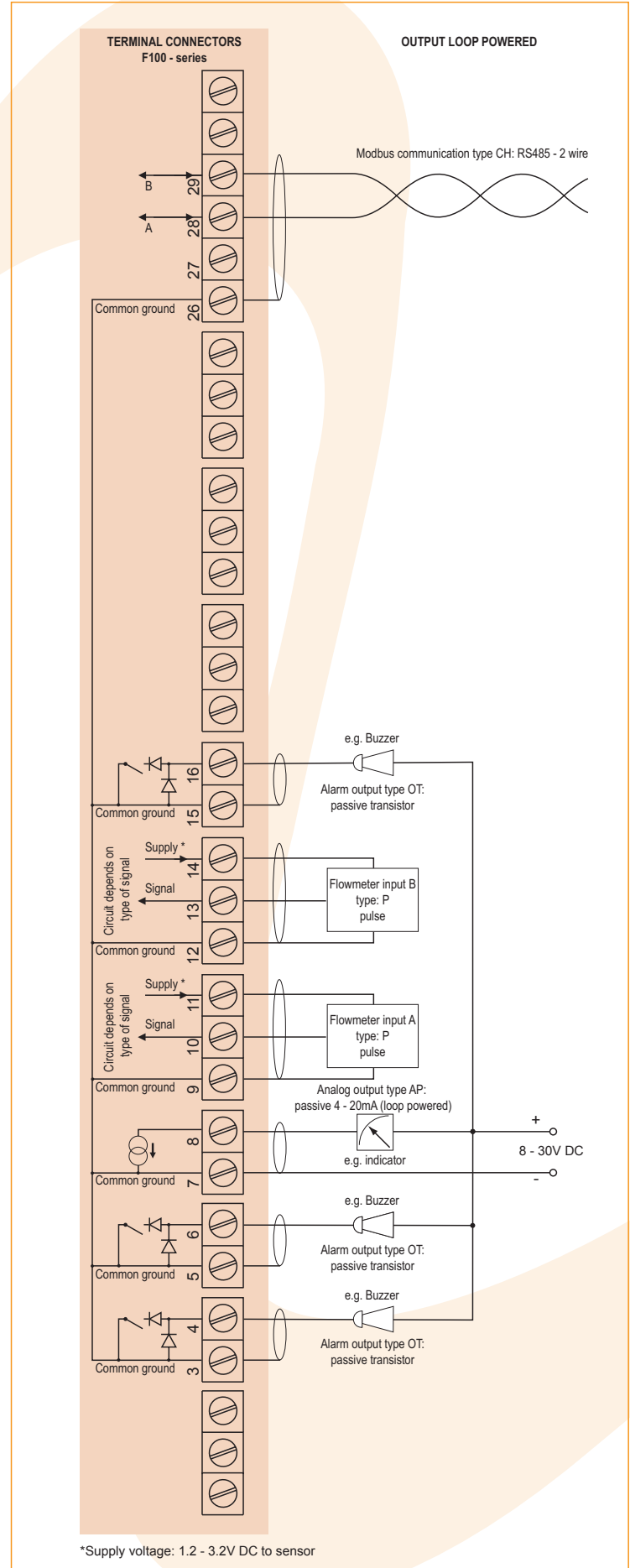
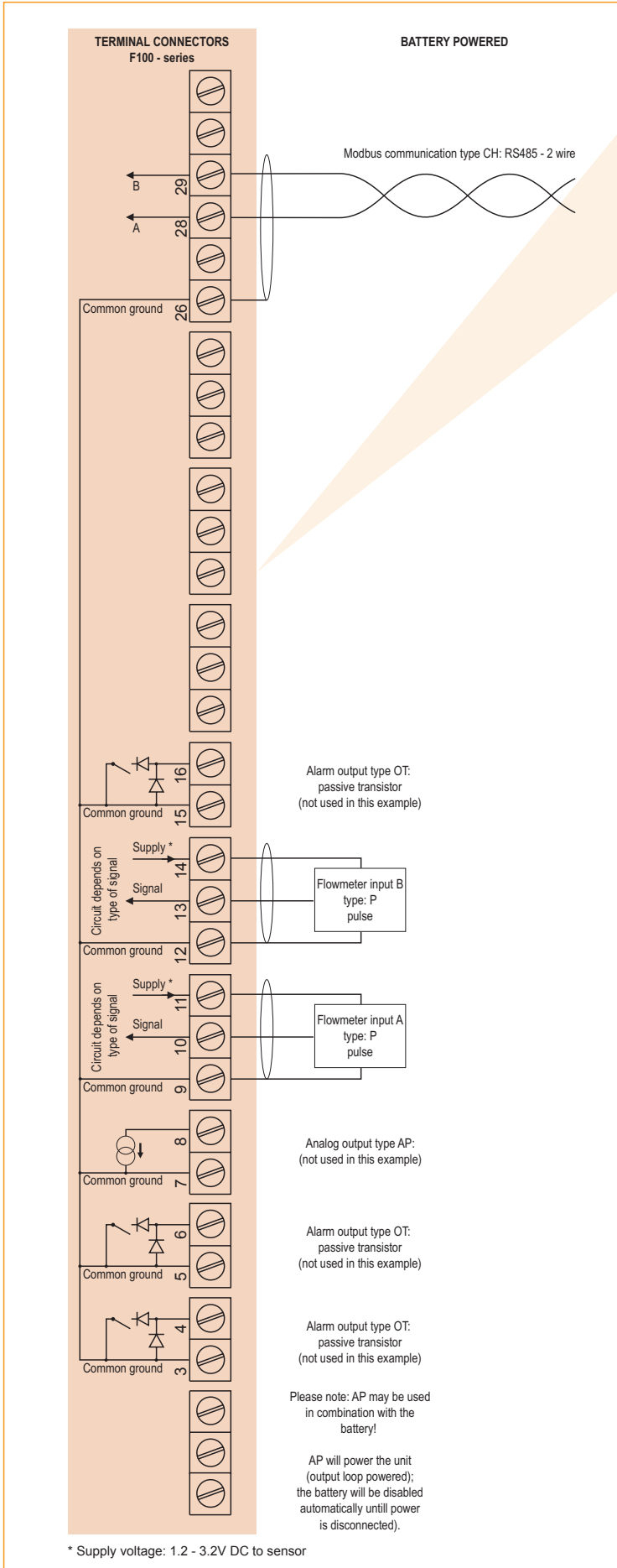
GRP

Terminal connections



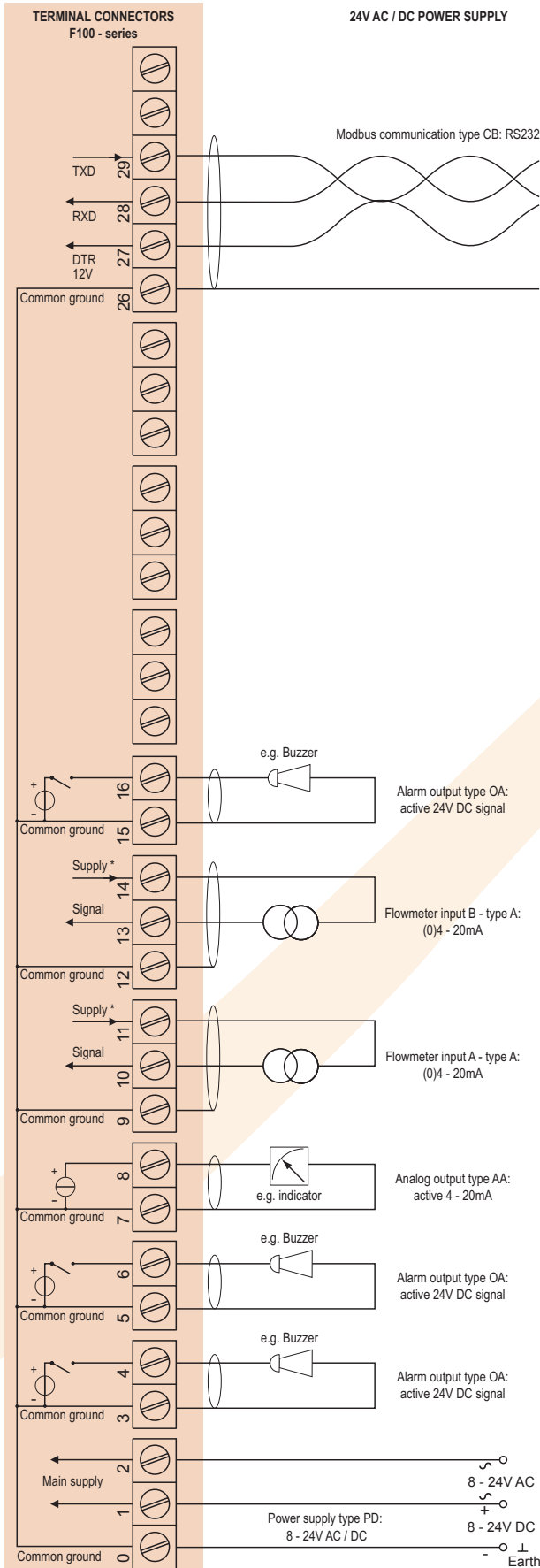
Typical wiring diagram F114-P-(AP)-CH-(OT)-PB

Typical wiring diagram F114-P-AP-CH-OT-PX

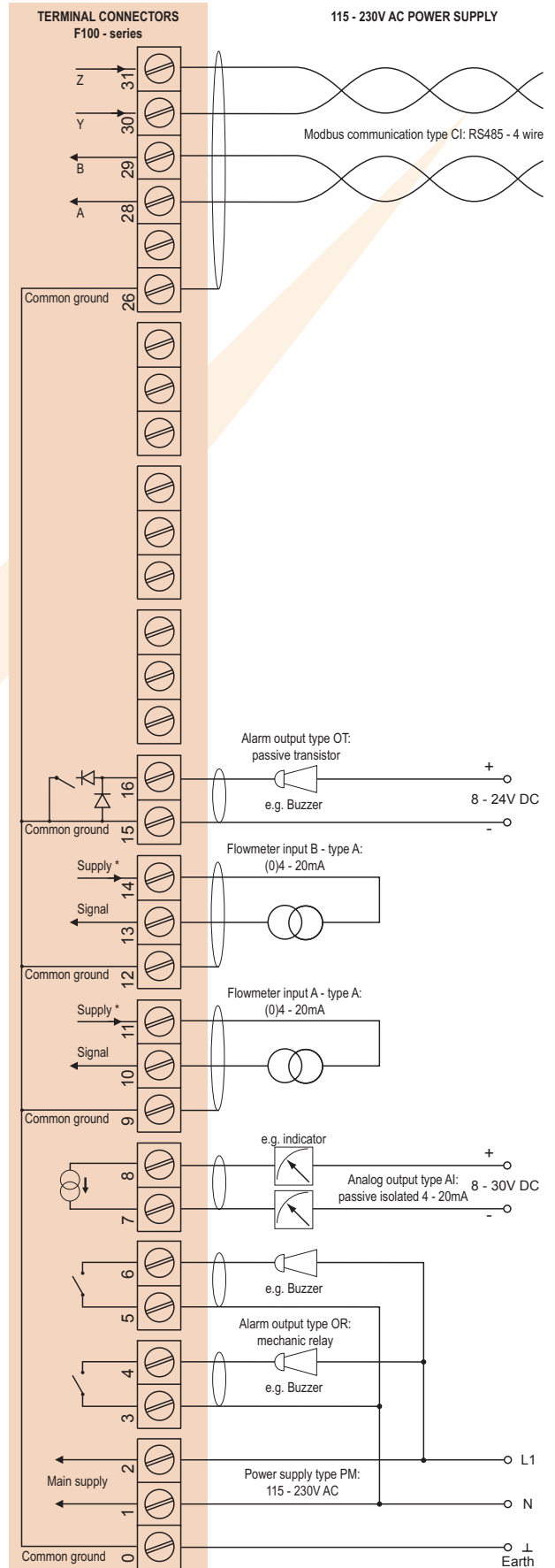


Typical wiring diagram F114-A-AA-CB-OA-PD

Typical wiring diagram F114-A-AI-CI-OR-PM



*Supply voltage: 3.2 - 8.2 - 12 - 24V DC to sensor

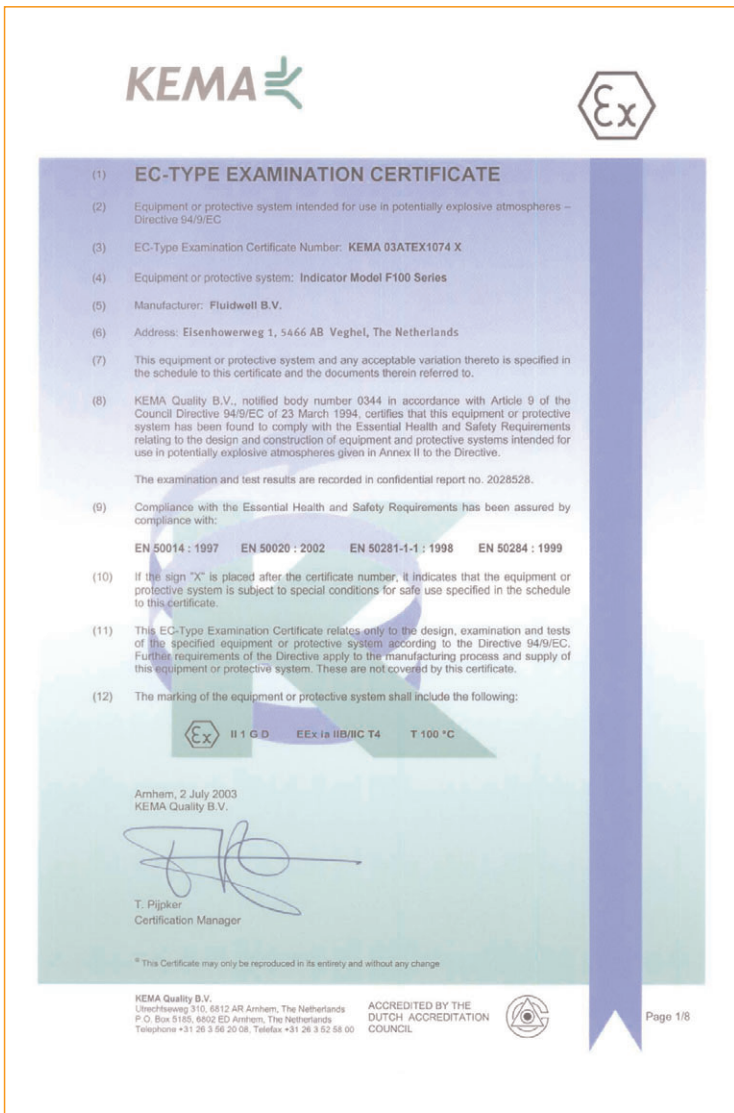


*Supply voltage: 3.2 - 8.2 - 12 - 24V DC to sensor

Hazardous area applications

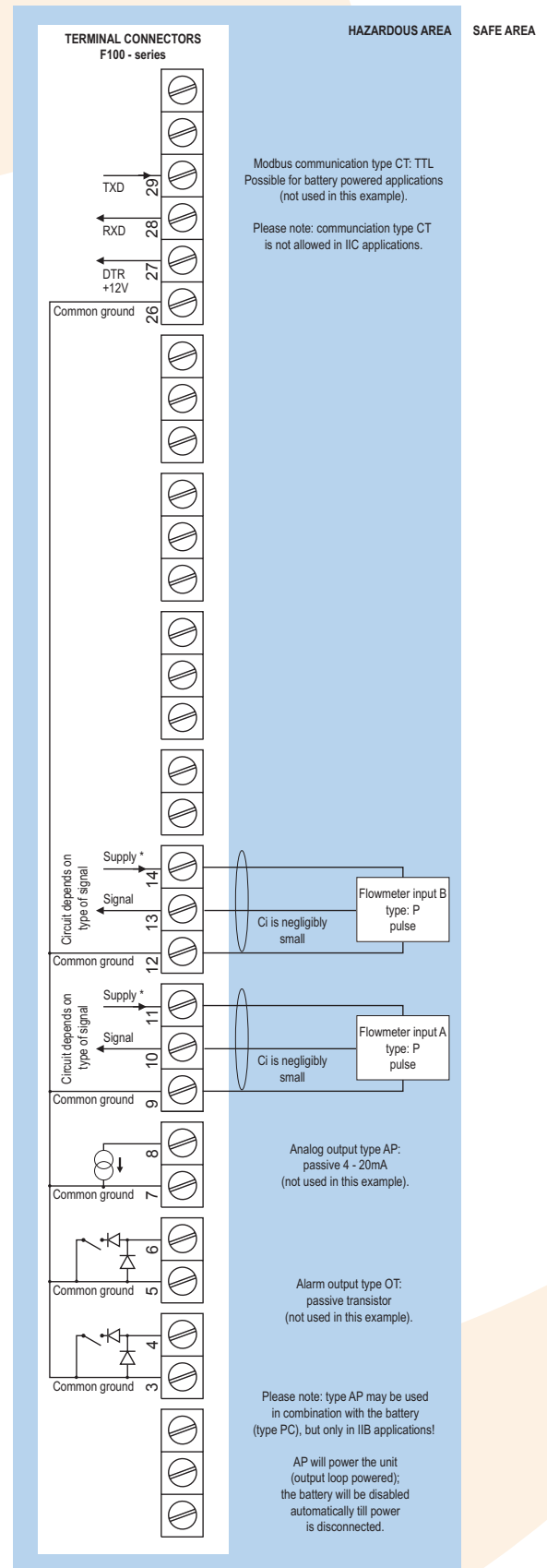
The F114-XI has been ATEX approved by KEMA for use in Intrinsically Safe applications. It is approved according to Ex II 1 GD EEx ia IIB/IIC T4 T100°C for gas and dust applications with an operational temperature range of -30°C to +70°C (-22°F to +158°F). Besides the two I.S. power supplies for the alarm outputs, it is allowed to connect up to four I.S. power supplies in IIB applications or one in IIC applications. Full functionality of the F114 remains available, including 4 - 20mA output, alarm outputs and Modbus communication (type CT). Power supply type PD-XI offers a 8.2V sensor supply e.g. for two Namur sensors. A flame proof enclosure with rating Ex II 2 GD EEx d IIB T5 is available as well. Please contact your supplier for further details.

Certificate of conformity KEMA 03ATEX1074 X

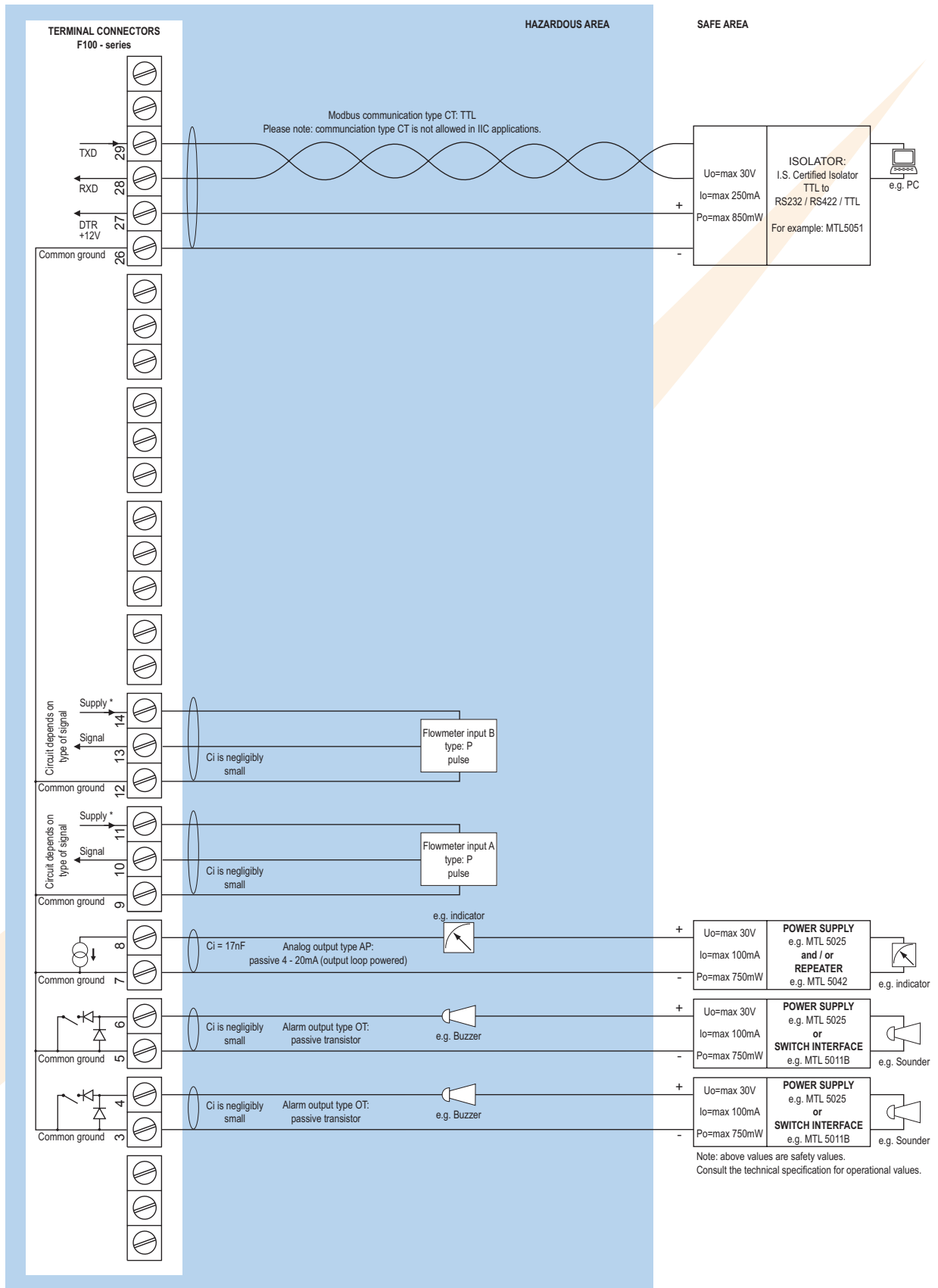


Configuration example IIB and IIC

F114-P-(AP)-(CT)-(OT)-PC-XI - Battery powered unit

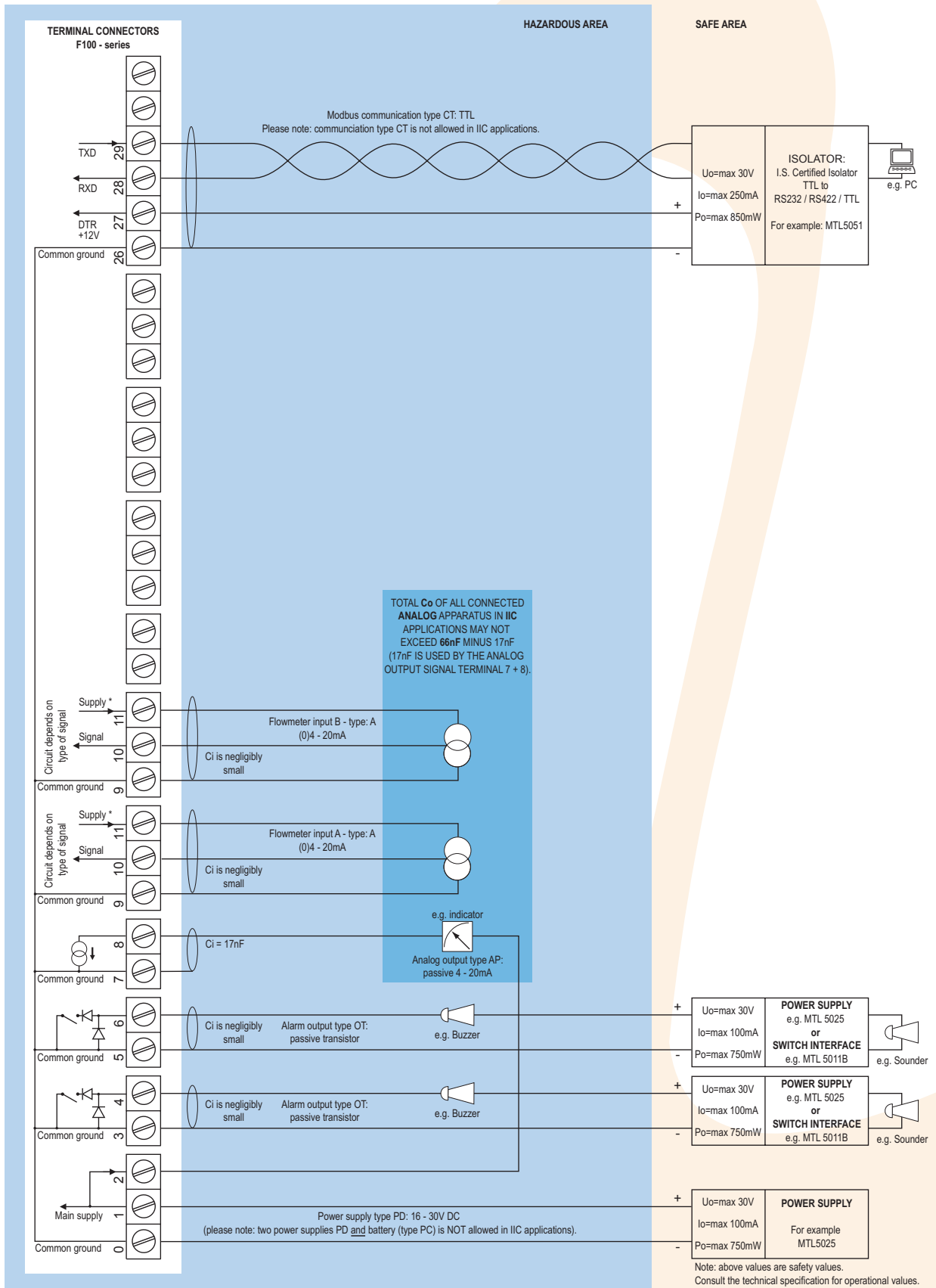


Configuration example IIB and IIC - F114-P-AP-(CT)-OT-PX-XI - Output loop power



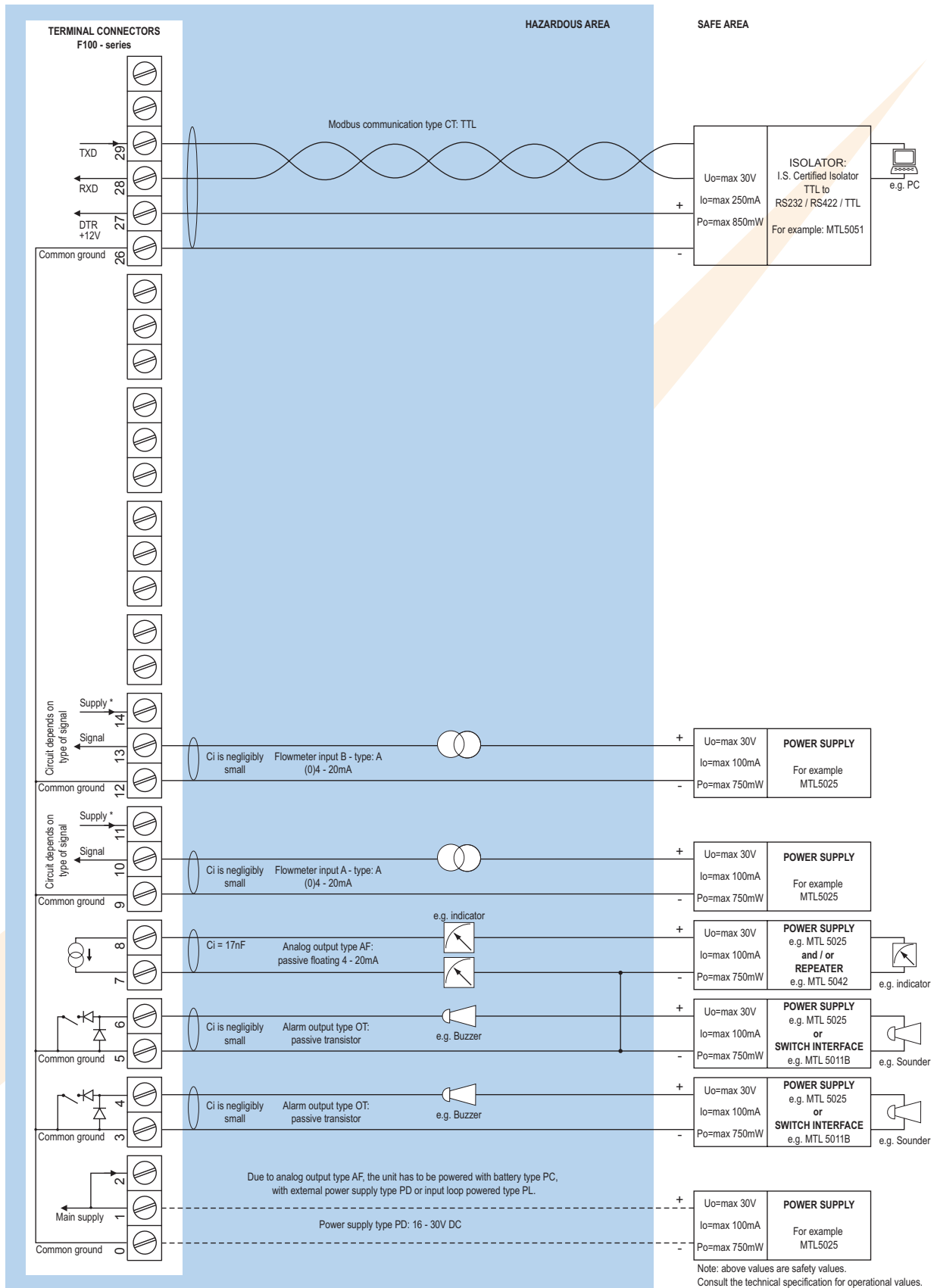
* Note sensor supply voltage: 1.2V DC for coil sensors or 3.2V DC for other pulse sensors.

Configuration example IIB and IIC - F114-A-AP-(CT)-OT-PD-XI - Power supply 16 - 30V DC



* Note power supply type PD: the supply voltage to pulse sensors is maximum 8.7V (U_o=max 8.7V I_o=max 25mA P_o=max 150mW) and to analog sensors as connected to terminal 1 (internally linked).

Configuration example IIB - F114-A-AF-CT-OT-(PC)-(PD)-(PL)-XI - Power supply 16 - 30V DC, battery or loop powered



* Note power supply type PD: the supply voltage to pulse sensors is maximum 8.7V ($U_o = \max 8.7V$ $I_o = \max 25mA$ $P_o = \max 150mW$) and to analog sensors as connected to terminal 1 (internally linked).

Technical specification

General

Display	
Type	High intensity reflective numeric and alphanumeric LCD, UV-resistant.
Dimensions	90 x 40mm (3.5" x 1.6").
Digits	Seven 17mm (0.67") and eleven 8mm (0.31") digits. Various symbols and measuring units.
Refresh rate	User definable: 8 times/sec. - 30 secs.
Option ZB	Transflective LCD with green LED backlight. Good readings in full sunlight and darkness.
Note	Only available for safe area applications.

Operating temperature

Operational	-30°C to +80°C (-22°F to +178°F).
Intrinsically Safe	-30°C to +70°C (-22°F to +158°F).

Power requirements

Type PB	Long life Lithium battery - life-time depends upon settings and configuration - up to 5 years.
Type PC	Intrinsically Safe long life lithium battery - life-time depends upon settings and configuration - up to 5 years.
Type PD	8 - 24V AC / DC ± 10%. Power consumption max. 10 Watt. Intrinsically Safe: 16 - 30V DC; power consumption max. 0.75 Watt.
Type PF	24V AC / DC ± 10%. Power consumption max. 15 Watt.
Type PL	Input loop powered from sensor signal 4 - 20mA (type "A") - requires types AI or AF and OT.
Type PM	115 - 230V AC ± 10%. Power consumption max. 15 Watt.
Type PX	8 - 30V DC. Power consumption max. 0.5 Watt.
Type ZB	12 - 24V DC ± 10% or type PD / PF / PM. Power consumption max. 1 Watt.
Note PB/PF/PM	Not available Intrinsically Safe.

Power requirements (continuation)

Note PF/PM	The total consumption of the sensors and outputs may not exceed 400mA @ 24V.
Note	For Intrinsically Safe applications, consult the safety values in the certificate.

Sensor excitation

Type PB/PC/PX	3.2V DC for pulse signals and 1.2V DC for coil pick-up.
Note	This is not a real sensor supply. Only suitable for sensors with a very low power consumption like coils (sine wave) and reed-switches.
Type PD	1.2 - 3.2 - 8.2 - 12 and 24V DC - max. 50mA @ 24V DC.
Type PD-XI	1.2 - 3.2 - 8.2V DC - max. 7mA @ 8.2V DC and mains power supply voltage (as connected to terminal 1).
Note	In case PD-XI and signal A or U: the sensor supply voltage is according to the power supply voltage connected to terminal 1. Also terminal 2 offers the same voltage.
Type PF / PM	1.2 - 3.2 - 8.2 - 12 and 24V DC - max. 400mA @ 24V DC.

Terminal connections

Type	Removable plug-in terminal strip. Wire max. 1.5mm ² and 2.5mm ² .
------	---

Data protection

Type	EEPROM backup of all settings. Backup of running totals every minute. Data retention at least 10 years.
Pass-code	Configuration settings can be pass-code protected.

Environment

Electromagnetic compatibility	Compliant ref: EN 61326 (1997), EN 61010-1 (1993).
-------------------------------	--

Hazardous area

Intrinsically Safe Type XI	ATEX approval ref.: II 1 GD EEx ia IIB/IIC T4 T100°C. Maximum ambient +70°C (158°F).
Explosion proof Type XF	ATEX approval ref.: II 2 GD EEx d IIB T5. Dimensions of enclosure: 300 x 250 x 200mm (11.8" x 9.9" x 7.9") L x H x D.
Weight	appr. 15 Kg.

Casing

General

Window	Polycarbonate window.
Sealing	Silicone.
Control keys	Three industrial micro-switch keys. UV-resistant silicone keypad.
Option ZS	Silicone free ABS enclosure with EPDM and PE sealings. UV-resistant polyester keypad.
Note	This option comes with type HD only.

Aluminum wall / field mount enclosures

General	Die-cast aluminum wall/field mount enclosure IP67 / NEMA 4X with 2-component UV-resistant coating.
Dimensions	130 x 120 x 75mm (5.12" x 4.72" x 2.95") - W x H x D.
Weight	1064 gr.
Type HA	Cable entry: 2 x PG9 and 1 x M20.
Type HM	Cable entry: 2 x M16 and 1 x M20.
Type HN	Cable entry: 1 x M20.
Type HO	Cable entry: 2 x M20.
Type HP	Cable entry: 6 x M12.
Type HT	Cable entry: 1 x 1/2" NPT.
Type HU	Cable entry: 3 x 1/2" NPT.
Type HZ	Cable entry: no holes.

GRP wall / field mount enclosures

General	GRP wall/field mount enclosure IP67 / NEMA 4X, UV-resistant and flame retardant.
Dimensions	130 x 120 x 75mm (5.12" x 4.72" x 2.95") - W x H x D.
Weight	566 gr.
Type HD	Cable entry: no holes.
Type HE	Cable entry: 2 x Ø 16mm and 1 x Ø 20mm.
Type HF	Cable entry: 1 x Ø 22mm (0.866").
Type HG	Cable entry: 2 x Ø 20mm.
Type HH	Cable entry: 6 x Ø 12mm.

Panel mount enclosures

Dimensions	130 x 120 x 60mm (5.12" x 4.72" x 2.36") - W x H x D.
Panel cut-out	115 x 98mm (4.53" x 3.86") L x H.
Type HB	Die-cast aluminum panel mount enclosure IP65 / NEMA 4.
Weight	570 gr.
Type HC	GRP panel mount enclosure IP65 / NEMA 4, UV-resistant and flame retardant.
Weight	422 gr.

Display example - 90 x 40mm (3.5" x 1.6")



Signal inputs

Flowmeter	
Type P	Coil / sine wave (minimum 20mVpp or 80mVpp - sensitivity selectable), NPN/PNP, open collector, reed-switch, Namur, active pulse signals 8 - 12 and 24V DC.
Frequency	Minimum 0Hz - maximum 7kHz for total and flow rate. Maximum frequency depends on signal type and internal low-pass filter. E.g. reed switch with low-pass filter: max. frequency 120Hz.
K-Factor	0.000010 - 9,999,999 with variable decimal position.
Low-pass filter	Available for all pulse signals.
Option ZF	coil sensitivity 10mVpp.
Type A	(0)4 - 20mA. Analog input signal can be scaled to any desired range within 0 - 20mA.
Type U	0 - 10V DC. Analog input signal can be scaled to any desired range within 0 - 10V DC.
Accuracy	Resolution: 14 bit. Error < 0.025mA / ± 0.125% FS. Low level cut-off programmable.
Span	0.000010 - 9,999,999 with variable decimal position.
Update time	Four times per second.
Voltage drop	Type A: 2.5V @ 20mA.
Load impedance	Type U: 3kΩ.
Relationship	Linear and square root calculation.
Note	For signal type A and U: external power to sensor is required; e.g. type PD.

Signal outputs

Analog output	
Function	Transmitting ratio, flow rate A or flow rate B.
Accuracy	10 bit. Error < 0.05%. Analog output signal can be scaled to any desired range.
Update time	Ten times per second.
Type AA	Active 4 - 20mA output (requires OA + PD, PF or PM).
Type AB	Active 0 - 20mA output (requires OA + PD, PF or PM).
Type AF	Passive floating 4 - 20mA output for Intrinsically Safe applications (requires PC, PD or PL).
Type AI	Passive galvanically isolated 4 - 20mA output - also available for battery powered models (requires PB, PD, PF, PL or PM).
Type AP	passive 4 - 20mA output - not isolated. Unit will be loop powered.
Type AU	Active 0 - 10V DC output (requires OA + PD, PF or PM).

Alarm output

Function	User defined: low, low-low, high, high-high or all alarms output.
Type OA	Three active 24V DC transistor outputs (PNP); max. 50mA per output (requires AA + PD, PF or PM).
Type OR	Two electro-mechanical relay outputs isolated (N.O.) - max. switch power 230V AC - 0.5A (requires PF or PM) and one transistor output OT or OA (OA in combination with AA only).
Type OT	Three passive transistor outputs (NPN) - not isolated.
Load	Max. 50V DC - 300mA per output.
Note	Intrinsically Safe applications: only two transistor outputs type OT available.

Communication option

Function	Reading display information, reading / writing all configuration settings.
Protocol	Modbus RTU.
Speed	1200 - 2400 - 4800 - 9600 baud.
Addressing	Maximum 255 addresses.
Type CB	RS232
Type CH	RS485 2-wire
Type CI	RS485 4-wire
Type CT	TTL Intrinsically Safe.

Operational

Operator functions

Displayed functions	<ul style="list-style-type: none"> • Ratio. • Low-low ratio alarm value. • Low ratio alarm value. • High ratio alarm value. • High-high ratio alarm value. • Flow rate A (can be hidden). • Total A (can be hidden). • Flow rate B (can be hidden). • Total B (can be hidden). • Totals can be reset to zero by pressing the CLEAR-key twice. • Alarm values can be set (or only displayed).
---------------------	---

Ratio

Digits	5.
Units	1 - xxx or %.
Decimals	3.

Total

Digits	7 digits.
Units	L, m³, GAL, USGAL, KG, lb, bbl, no unit.
Decimals	0 - 1 - 2 or 3.
Note	Total can be reset to zero.

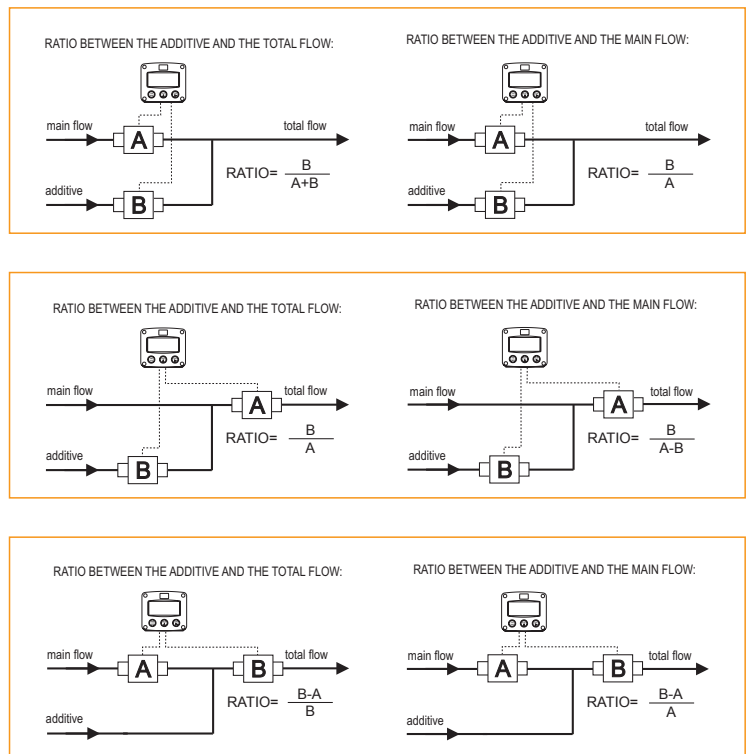
Flow rate

Digits	7 digits.
Units	mL, L, m³, Gallons, KG, Ton, lb, bl, cf, RND, ft³, scf, Nm³, NL, igal - no units.
Decimals	0 - 1 - 2 or 3.
Time units	/sec - /min - /hr - /day.

Alarm values

Digits	7 digits.
Units	According to selection for ratio.
Decimals	According to selection for ratio.
Type of alarm	Low, high, low-low or high-high ratio alarm. Includes alarm delay time and configurable alarm outputs.

Ratio



Ordering information

Standard configuration: F114-P-AP-CX-HC-OT-PX-XX-ZX.

Ordering information:	F114	-	A	C	H	O	P	X	Z
Flowmeter input signal									
A	⊗	(o)4 - 20mA input.							
P	⊗	Pulse input: coil, npn, pnp, namur, reed-switch.							
U	⊗	0 - 10V DC input.							
Analog output signal									
AA		Active 4 - 20mA output - requires OA + PD, PF or PM.							
AB		Active 0 - 20mA output - requires OA + PD, PF or PM.							
AF	⊗	I.S. floating 4 - 20mA output - requires PC, PD or PL.							
AI		Isolated 4 - 20mA output - requires PB, PD, PF, PL or PM.							
AP	⊗	Passive 4 - 20mA output, loop powered unit.							
AU		Active 0 - 10V DC output - requires OA + PD, PF or PM.							
Communication									
CB		Communication RS232 - Modbus RTU.							
CH		Communication RS485 - 2wire - Modbus RTU.							
CI		Communication RS485 - 4 wire - Modbus RTU.							
CT	⊗	Intrinsically Safe TTL - Modbus RTU.							
CX	⊗	No communication.							
Panel mount enclosures - IP65 / NEMA4									
HB	⊗	Aluminum enclosure.							
HC	⊗	GRP enclosure.							
GRP field / wall mount enclosures - IP67 / NEMA4X									
HD	⊗	Cable entry: no holes.							
HE	⊗	Cable entry: 2 x 16mm + 1 x 20mm.							
HF	⊗	Cable entry: 1 x 22mm (0.866").							
HG	⊗	Cable entry: 2 x 20mm.							
HH	⊗	Cable entry: 6 x 12mm.							
Aluminum field / wall mount enclosures - IP67 / NEMA4X									
HA	⊗	Cable entry: 2 x PG9 + 1 x M20.							
HM	⊗	Cable entry: 2 x M16 + 1 x M20.							
HN	⊗	Cable entry: 1 x M20.							
HO	⊗	Cable entry: 2 x M20.							
HP	⊗	Cable entry: 6 x M12.							
HT	⊗	Cable entry: 1 x 1/2" NPT.							
HU	⊗	Cable entry: 3 x 1/2" NPT.							
HZ	⊗	Cable entry: no holes.							
Outputs									
OA		Three active transistor outputs - requires AA, AB or AU and PD, PF or PM.							
OR		Two mechanical relay outputs + one OT or OA - requires PF or PM.							
OT	⊗	Three passive transistor outputs - standard configuration.							
Power supply									
PB		Lithium battery powered.							
PC	⊗	Lithium battery powered - Intrinsically Safe.							
PD	⊗	8 - 24V AC/DC + sensor supply - with XI: 16 - 30V DC.							
PF		24V AC/DC + sensor supply.							
PL	⊗	Input loop powered from sensor signal type "A" - requires AI or AF and OT.							
PM		115 - 230V AC + sensor supply.							
PX	⊗	Basic power supply 8 - 30V DC (no real sensor supply). Unit requires external loop AP.							
Hazardous area									
XI	⊗	Intrinsically Safe.							
XF	⊗	EExd enclosure - 3 keys.							
XX		Safe area only.							
Other options									
ZB		Backlight.							
ZF	⊗	Coil input 10mVpp.							
ZS	⊗	Silicone free ABS enclosure with EPDM and PE sealings (type HD only).							
ZX	⊗	No options.							

The bold marked text contains the standard configuration.

⊗ Available Intrinsically Safe.

Specifications are subject to change without notice.