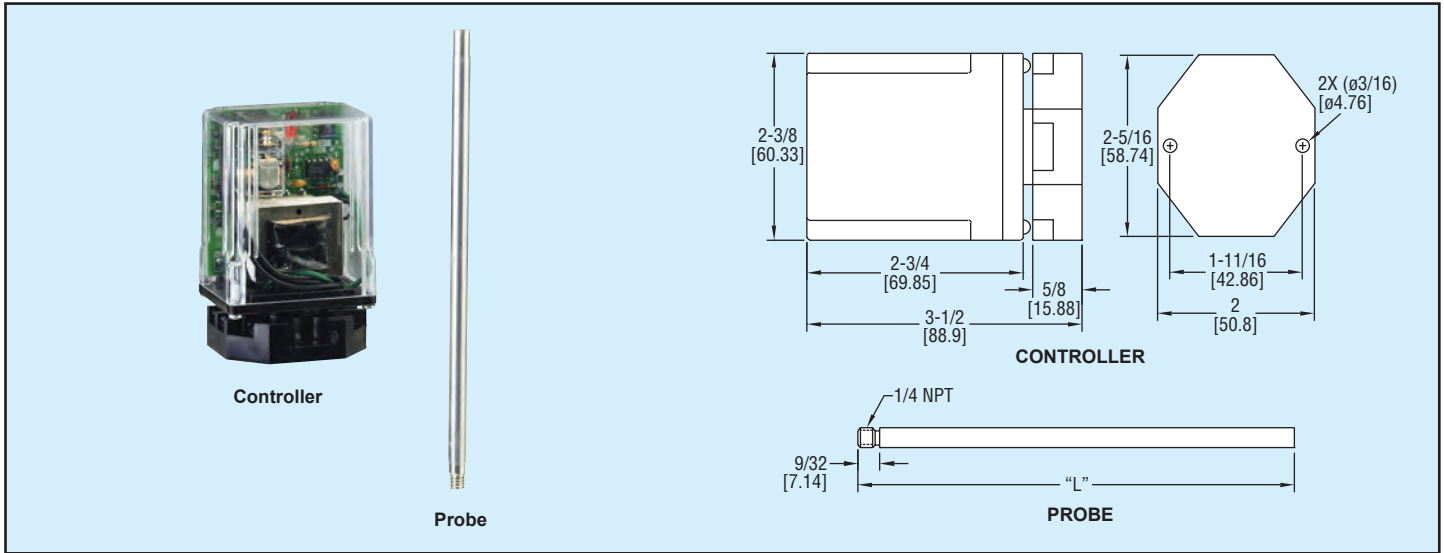




Series  
LLC

# Conductivity Controller

Single Point or Differential Level Service, Compact Size, Up to 6 ft. (1.82 m) Probes



**Control valves, pumps and alarms** with the versatile Series LLC Conductivity Level Controller. Select the required number of probes for single or dual point level detection. Choose probe lengths in 1-foot increments (up to six feet) to adapt the LLC to your specific applications requirements. The LLC features rugged 1/4" (6.3 mm) diameter, SS probes, LED monitoring, surge protection, low voltage sensor and different mounting options.

**To build your level switch:**

**Controller:**

1. Determine your supply voltage. Select between 120 and 240 VAC.
2. Determine the required sensitivity. Select between 10K  $\Omega$  and 26K  $\Omega$ .
3. Determine the socket style. Select between 8-pin octal and DIN mount.

**Probes:**

4. Determine the required number of probes. Specify quantity of Threaded Mounting Couplings, model LLC-82. (A coupling is required for each probe.)
5. Select probe lengths. Specify model numbers for probes.

**SPECIFICATIONS**

- Service:** Electrically conductive fluids.
- Wetted Materials:** 316 SS, PTFE.
- Temperature Limits:** Controller: -40 to 150°F (-40 to 65°C); Probes: 406°F (207°C).
- Pressure Limits:** Probes: 400 psig (27 bar).
- Switch Type:** SPDT, NO or NC.
- Electrical Rating:** 10A resistive, 1/3 HP @ 120/240 VAC.
- Power Requirements:** 120 VAC or 240 VAC.
- Process Connection:** 3/8" male NPT.
- Electrodes:** 1/4" (6.3 mm) diameter, 316 SS.
- Maximum Probe Length:** 72" (1.82 m).
- Controller Sensitivity:** 10K  $\Omega$  or 26K  $\Omega$ .
- Mounting:** Controller: 8 pin octal or DIN mount; Probes: 3/8" male NPT.
- Weight:** Controller: 6 oz (170 g).

**Threaded Mounted Couplings  
Model LLC-82**

Controllers			
Model	Supply Voltage	Sensitivity	Socket Style
LLC-118	120 VAC	10K $\Omega$	8-Pin Octal
LLC-128	120 VAC	26K $\Omega$	8-Pin Octal
LLC-115	120 VAC	10K $\Omega$	DIN Mount
LLC-125	120 VAC	26K $\Omega$	DIN Mount
LLC-218	240 VAC	10K $\Omega$	8-Pin Octal
LLC-228	240 VAC	26K $\Omega$	8-Pin Octal
LLC-215	240 VAC	10K $\Omega$	DIN Mount
LLC-225	240 VAC	26K $\Omega$	DIN Mount

Probes	
Model	Length feet(m)
LLC-31	1 (.3)
LLC-32	2 (.6)
LLC-33	3 (.9)
LLC-34	4 (1.2)
LLC-35	5 (1.5)
LLC-36	6 (1.8)

LEVEL

Level Switches,  
Conductivity