

"Apollo"[®]
INTERNATIONAL

SUBMITTAL SHEET

Model 910WE

200 PSIG Wafer Check Valve



Job Name:	
Job Location:	
Engineer:	
Contractor:	
Tag:	
PO Number:	
Representative:	
Wholesale Distributor:	

DESCRIPTION

The **Apollo International™** Model 910WE Cast Iron Wafer Check valve provides full flow capabilities. It provides reliable and economical protection against reverse flow. The Model 910WE Wafer Check valve can reliably be installed in most plumbing and heating systems (or building service piping).

FEATURES

- Compatible with ANSI 125# & 150# Flanges
- Full Port
- Minimal Pressure drop
- Light Weight
- Spring Assisted Closing for quicker response

PERFORMANCE RATING

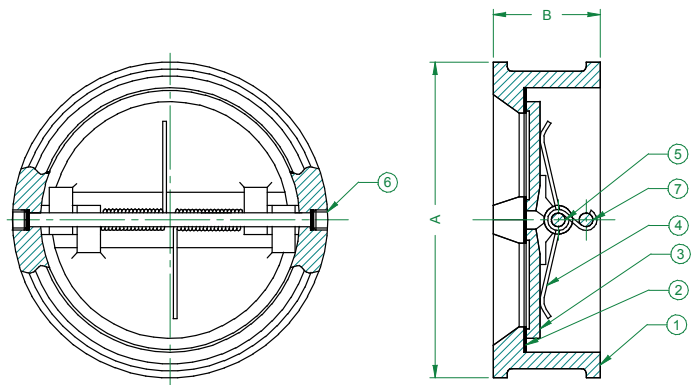
- Saturated Steam: 125 psi (8.6 Bar) to 353°F(178°C)
- Cold Working Pressure: 200 psi (13.8 Bar) at 100°F
- Temperature Range: -20°F to 406°F

STANDARD MATERIALS LIST

	Part Name	Material
1	Body	Cast Iron (ASTM A126 CL B)
2	Seat Ring	EPDM
3	Disc	Aluminum Bronze
4	Spring	Stainless Steel
5	Stem	Stainless Steel
6	Screw	Carbon Steel
7	Pin	Stainless Steel

DIMENSIONS

Part Number	Size (in.)	Dimensions (in.)		Wt. (lbs.)	Cv (Typ)
		A	B		
6WC108E1	2"	4.00	2.12	3	75
6WC109E1	2-1/2"	4.75	2.38	6	95
6WC100E1	3"	5.25	2.62	8	191
6WC10AE1	4"	6.75	2.62	13	377
6WC10BE1	5"	7.50	3.25	17	483
6WC10CE1	6"	8.50	3.75	25	821
6WC10EE1	8"	11.00	5.00	47	1,590
6WC10GE1	10"	13.25	5.50	67	2,920
6WC10HE1	12"	16.00	7.12	118	4,470



Cv = GPM @1 psi pressure drop, 60°F water

*Cv values are estimates only

Apollo Valves / **Conbraco Industries, Inc.**
701 Matthews Mint-Hill Road, Matthews, NC 28105 USA
www.apollovalves.com | (704) 841-6000

This specification is provided for reference only. Conbraco Industries Inc. reserves the right to change any portion of this specification without notice and without incurring obligation to make such changes to Conbraco products previously or subsequently sold. Please visit our website @ www.apollovalves.com for the most current information.

